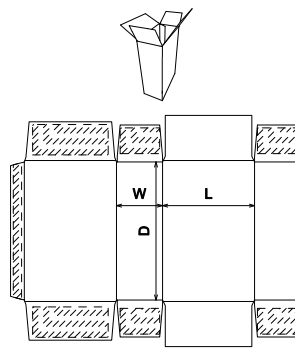
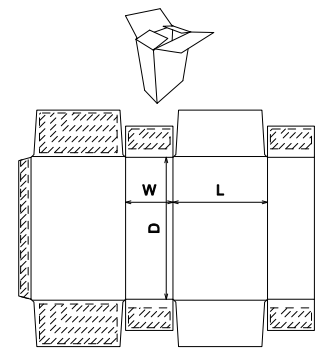


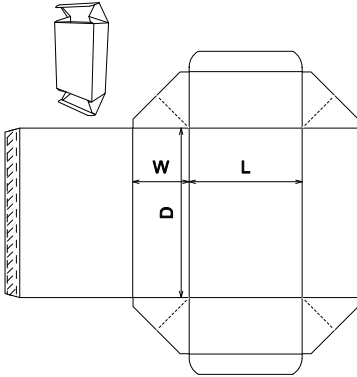
ECMA Folding Carton\Group A\FC0505 - Captain Lake End Load Skillet - FC0505 - Folding Carton Skillet



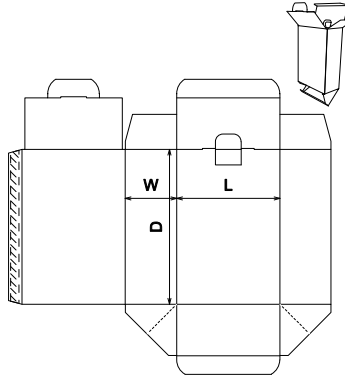
ECMA Folding Carton\Group A\FC0502 Bradman Lake End Load Skillet - FC0502 - Folding Carton Skillet



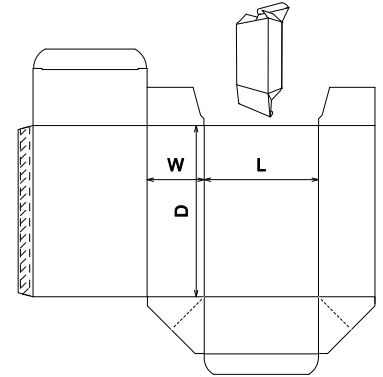
ECMA Folding Carton\Group A\FC0501 Jacob White End Load Skillet - FC0501 - Folding Carton Skillet



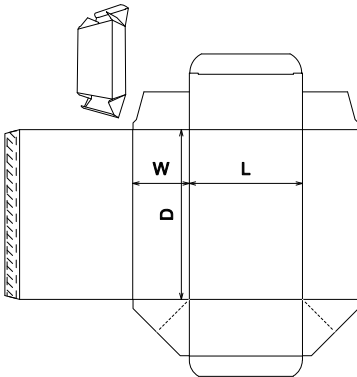
ECMA Folding Carton\Group A\ECMA A9999 - FC0205 - Same Panel Webbed Tuck



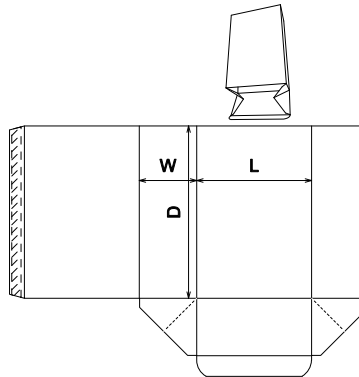
ECMA Folding Carton\Group A\ECMA A9998 - FC1204 - Double Tuck Webbed Tuck



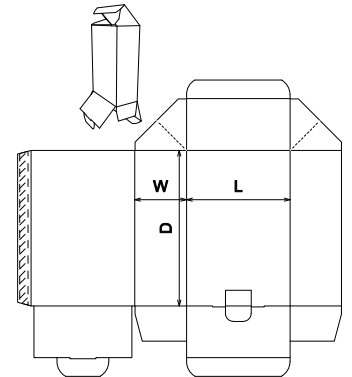
ECMA Folding Carton\Group A\ECMA A9920 Style B - FC0219 - Tuck to Front Webbed Tuck



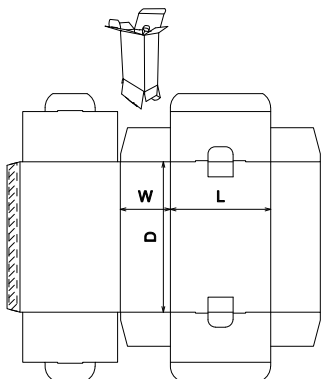
ECMA Folding Carton\Group A\ECMA A9920 Style A - FC0218 - Tuck to Back Webbed Tuck



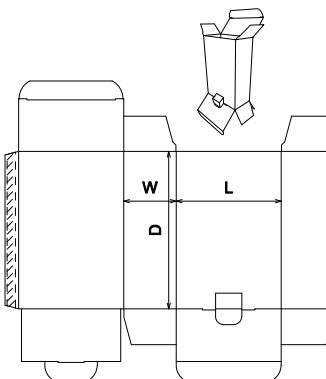
ECMA Folding Carton\Group A\ECMA A9901 - FC1201 - Open Top Webbed Tuck Base



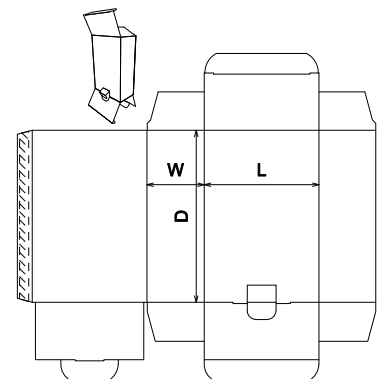
ECMA Folding Carton\Group A\ECMA A9899 - FC0224 - Webbed Tuck Double Tuck



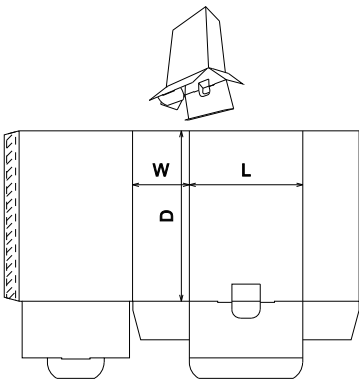
ECMA Folding Carton\Group A\ECMA A9898 - FC0206 - Double Tuck Top and Base



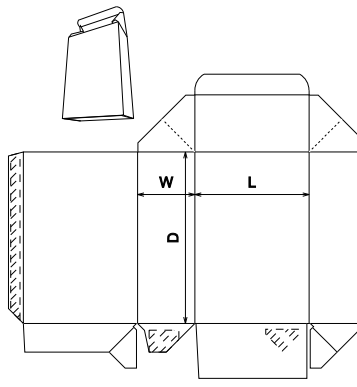
ECMA Folding Carton\Group A\ECMA A9821 - FC0221 - Tuck to Front Double Tuck



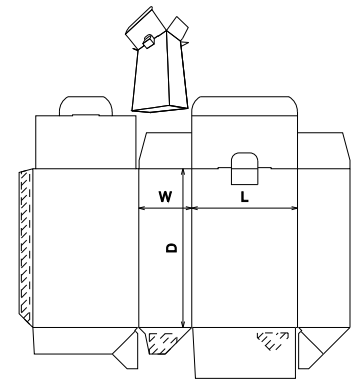
ECMA Folding Carton\Group A\ECMA A9820 - FC0220 - Tuck to Back Double Tuck



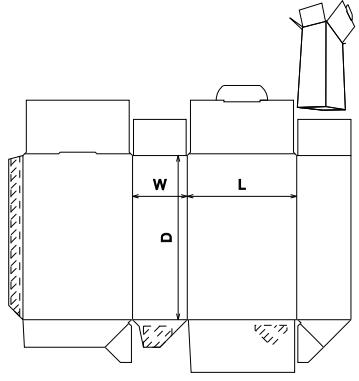
ECMA Folding Carton\Group A\ECMA A9801 - FC1202 - Open Top Double Tuck Base



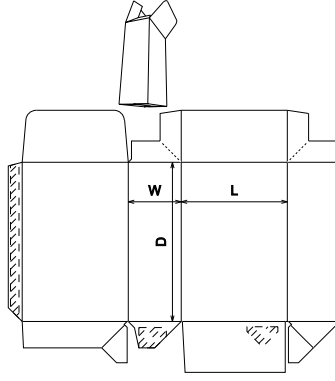
ECMA Folding Carton\Group A\ECMA A6199 - FC0108 - Webbed Tuck Full Crash Lock Base



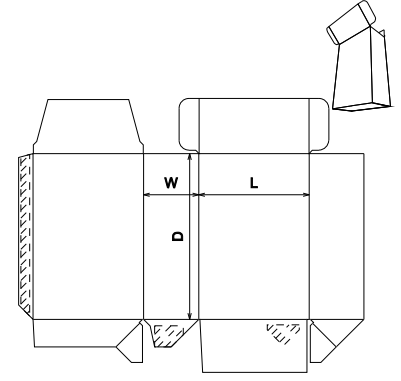
ECMA Folding Carton\Group A\ECMA A6198 - FC0111 - Double Tuck Full Crash Lock Base



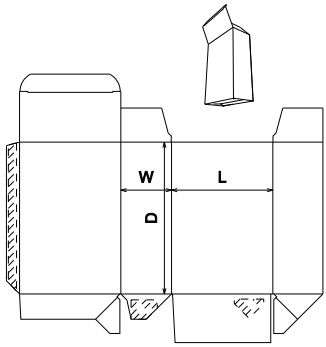
ECMA Folding Carton\Group A\ECMA A6156 - FC0120 - Edge Lock Skillet Full Crash Lock Base



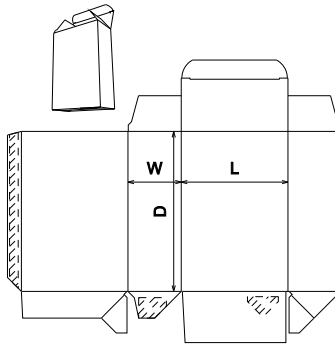
ECMA Folding Carton\Group A\ECMA A6145 - FC0114 - Sieve Proof Full Crash Lock Base



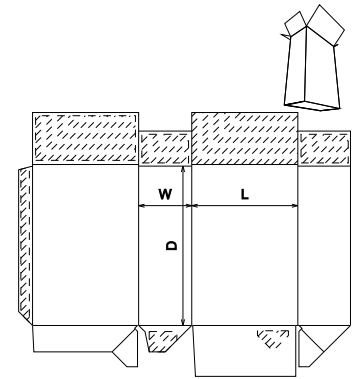
ECMA Folding Carton\Group A\ECMA A6140 - FC0117 - Side Tuck Full Crash Lock Base



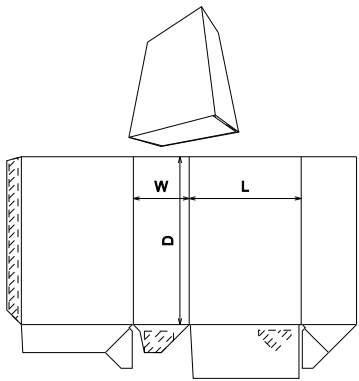
ECMA Folding Carton\Group A\ECMA A6120 Style B - FC0104 - Tuck to Front Full Crash Lock Base



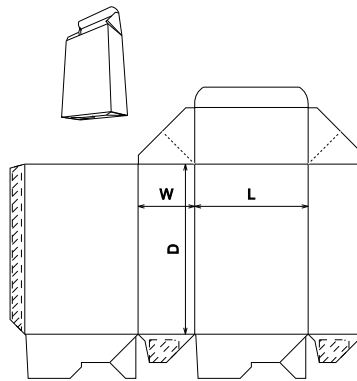
ECMA Folding Carton\Group A\ECMA A6120 Style A - FC0103 - Tuck to Back Full Crash Lock Base



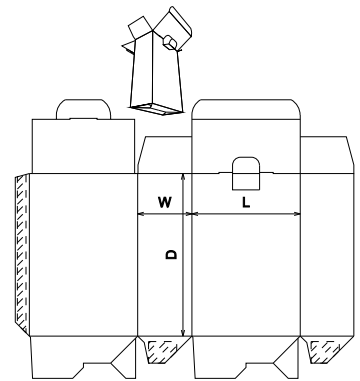
ECMA Folding Carton\Group A\ECMA A6110 - FC0123 - Square Skillet Full Crash Lock Base



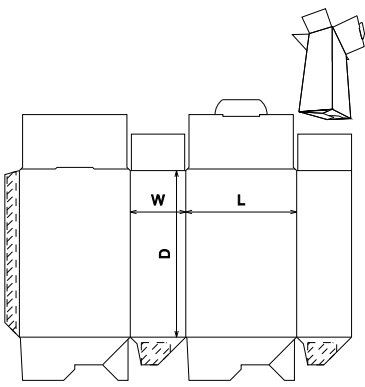
ECMA Folding Carton\Group A\ECMA A6101 - FC0126 - Open Ended Full Crash Lock Base



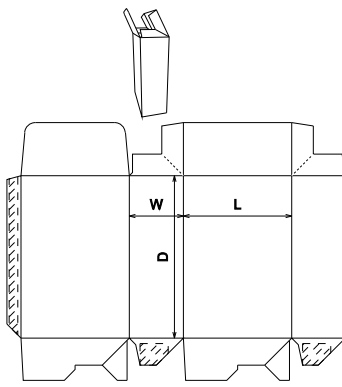
ECMA Folding Carton\Group A\ECMA A6099 - FC0107 - Webbed Tuck Crash Lock Base



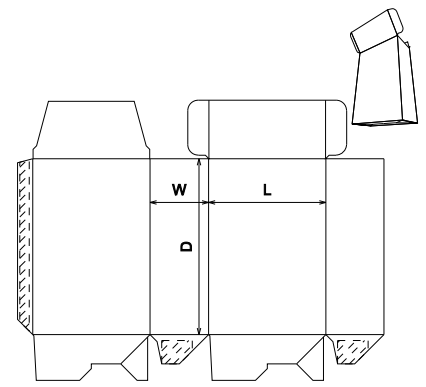
ECMA Folding Carton\Group A\ECMA A6098 - FC0110 - Double Tuck Crash Lock Base



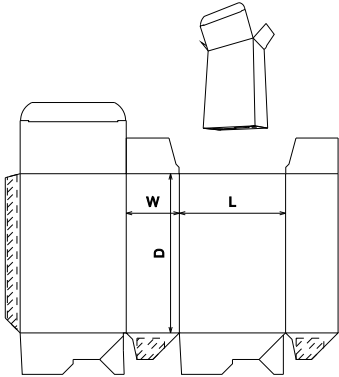
ECMA Folding Carton\Group A\ECMA A6056 - FC0119 - Edge Lock Skillet Crash Lock Base



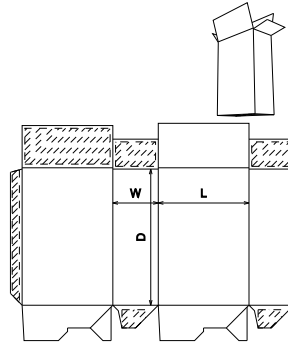
ECMA Folding Carton\Group A\ECMA A6045 - FC0113 - Sieve Proof Crash Lock Base



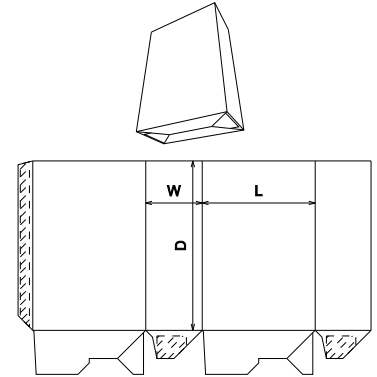
ECMA Folding Carton\Group A\ECMA A6040 - FC0116 - Side Tuck Crash Lock Base



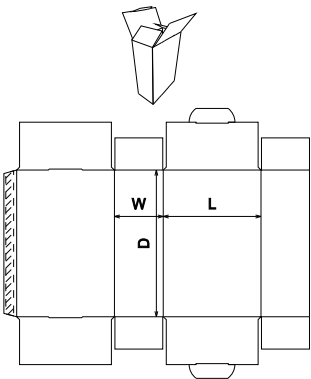
ECMA Folding Carton\Group A\ECMA A6021 - FC0102 - Tuck to Front Crash Lock Base



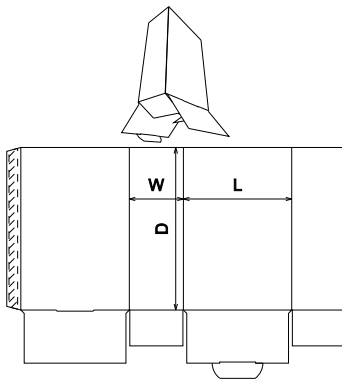
ECMA Folding Carton\Group A\ECMA A6010 - FC0122 - Standard Skillet Standard Crash Lock Base



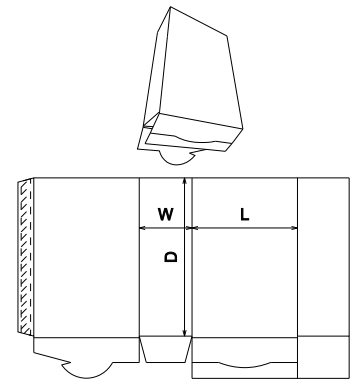
ECMA Folding Carton\Group A\ECMA A6001 - FC0125 - Open Ended Crash Lock Base



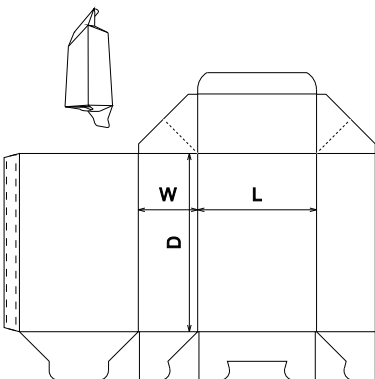
ECMA Folding Carton\Group A\ECMA A5656 - FC0503 - Edge Lock Skillet



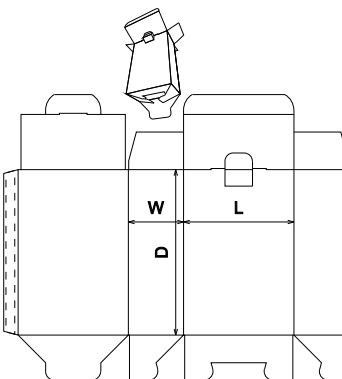
ECMA Folding Carton\Group A\ECMA A5601 Style B - Open Top Edge Lock Skillet



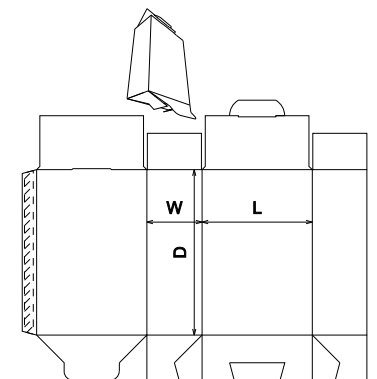
ECMA Folding Carton\Group A\ECMA A5601 Style A - Open Ended Locking Skillet



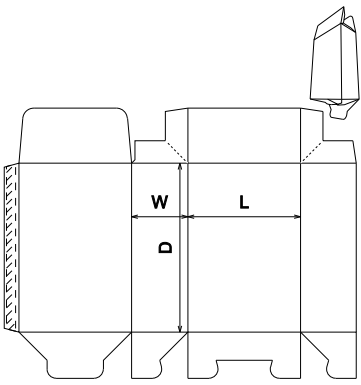
ECMA Folding Carton\Group A\ECMA A5599 - FC0109 - Webbed Tuck Snap Lock Base



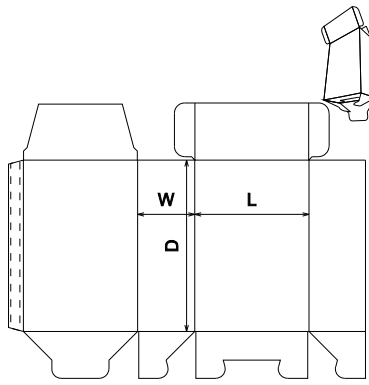
ECMA Folding Carton\Group A\ECMA A5598 - FC0112 - Double Tuck Snap Lock Base



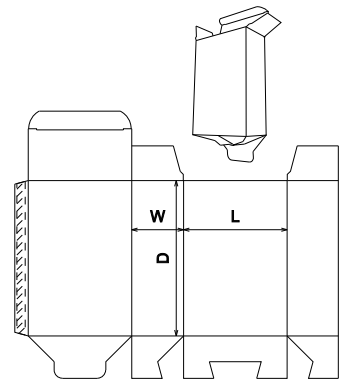
ECMA Folding Carton\Group A\ECMA A5556 - FC0121 - Edge Lock Skillet Snap Lock Base



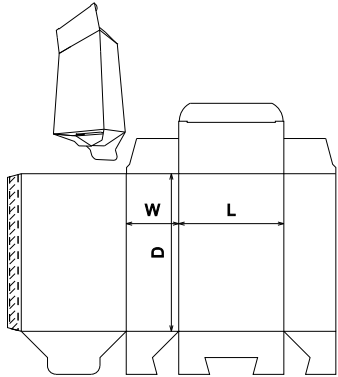
ECMA Folding Carton\Group A\ECMA A5545 - FC0115 - Sieve Proof Snap Lock Base



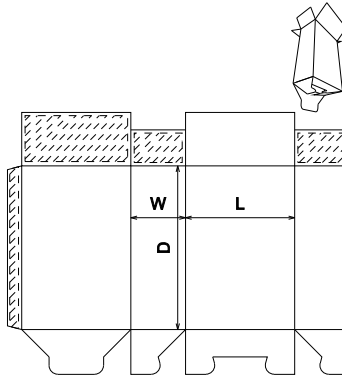
ECMA Folding Carton\Group A\ECMA A5540 - FC0118 - Side Tuck Snap Lock Base



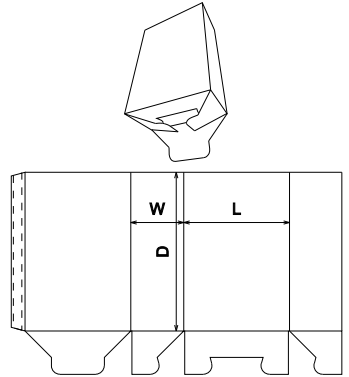
ECMA Folding Carton\Group A\ECMA A5520 Style B - FC0106 - Tuck to Front Snap Lock Base



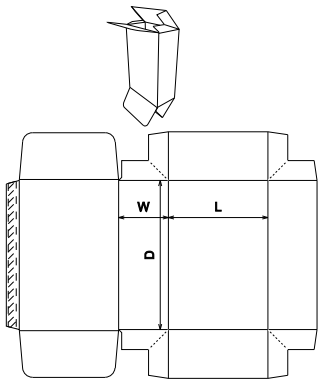
ECMA Folding Carton\Group A\ECMA A5520 Style A - FC0105 - Tuck to Back Snap Lock Base



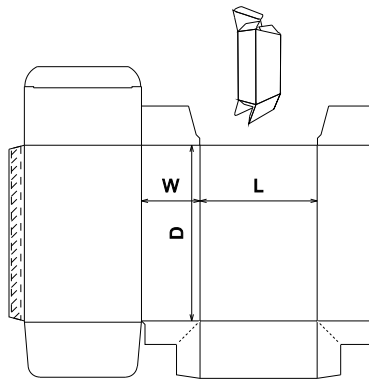
ECMA Folding Carton\Group A\ECMA A5510 - FC0124 - Square Flap Skillet Snap Lock Base



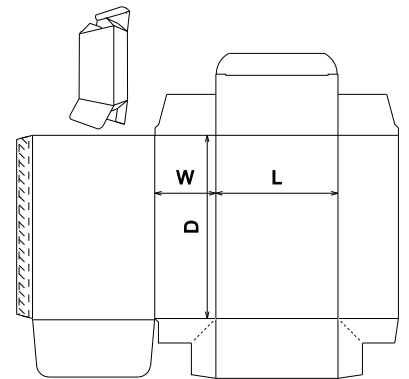
ECMA Folding Carton\Group A\ECMA A5501 - FC0127 - Open Ended Snap Lock Base



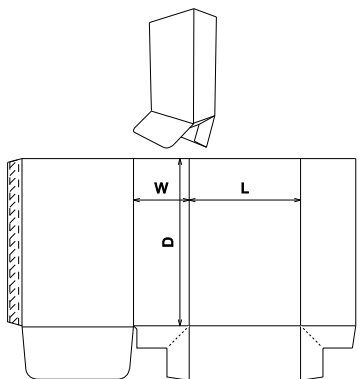
ECMA Folding Carton\Group A\ECMA A4545 - FC0207 - Sieve Proof Top and Base



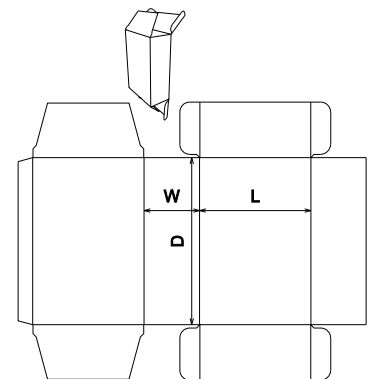
ECMA Folding Carton\Group A\ECMA A4520 Style B - FC0215 - Tuck to Front Sieve Proof



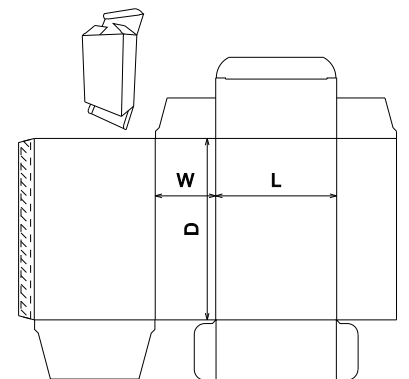
ECMA Folding Carton\Group A\ECMA A4520 Style A - FC0214 - Tuck to Back Sieve Proof



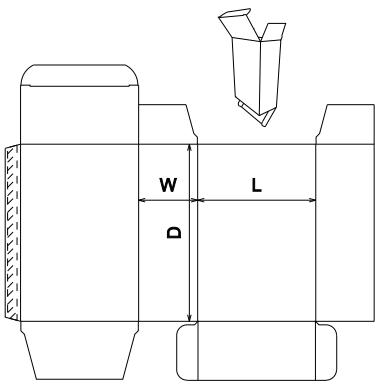
ECMA Folding Carton\Group A\ECMA A4501 - Open Top Sieve Proof Base



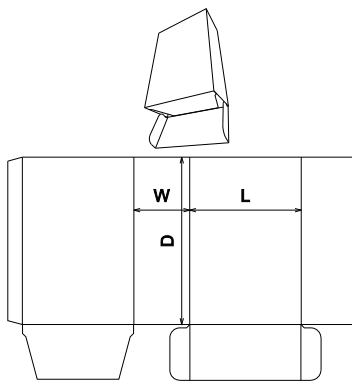
ECMA Folding Carton\Group A\ECMA A4040 - FC0208 - Side Tuck Top and Base



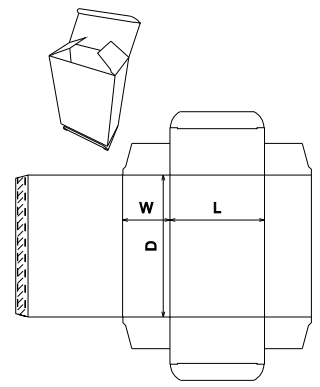
ECMA Folding Carton\Group A\ECMA A4020 Style B - FC0217 - Tuck to Front Side Tuck



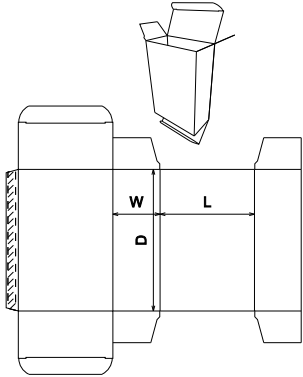
ECMA Folding Carton\Group A\ECMA A4020  
Style A - FC0216 - Tuck to Back Side Tuck



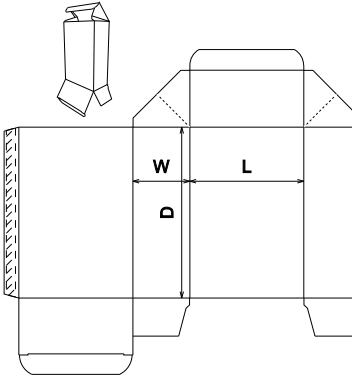
ECMA Folding Carton\Group A\ECMA A4001 -  
Open Ended Side Tuck



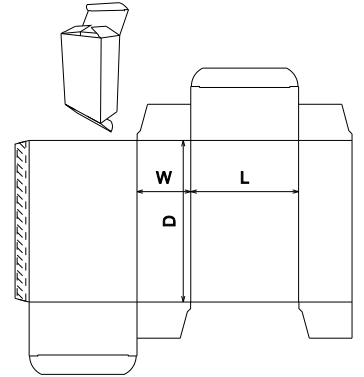
ECMA Folding Carton\Group A\ECMA A2420 -  
FC0202 - Same Panel Tuck



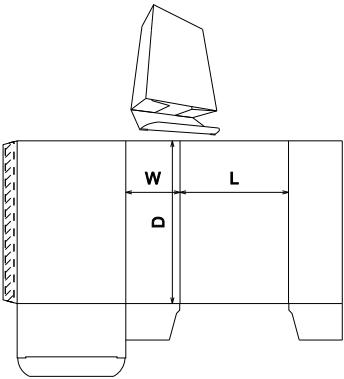
ECMA Folding Carton\Group A\ECMA A2320 -  
FC0203 - Aerotuck to Back



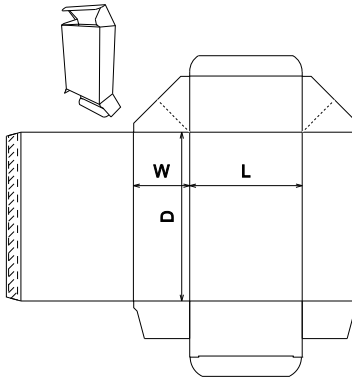
ECMA Folding Carton\Group A\ECMA A2299 -  
FC0223 - Webbed Tuck Tuck to Front



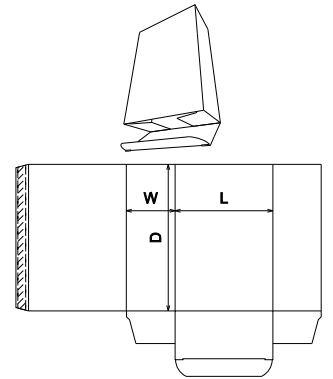
ECMA Folding Carton\Group A\ECMA A2220 -  
FC0204 -Inverted Reverse Tuck End



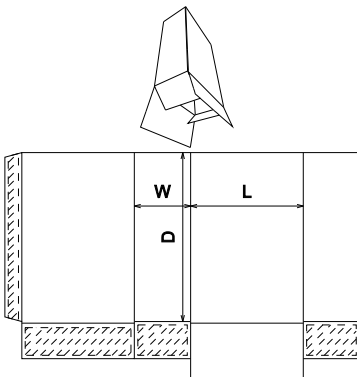
ECMA Folding Carton\Group A\ECMA A2201 -  
Tuck to Front - Open Top



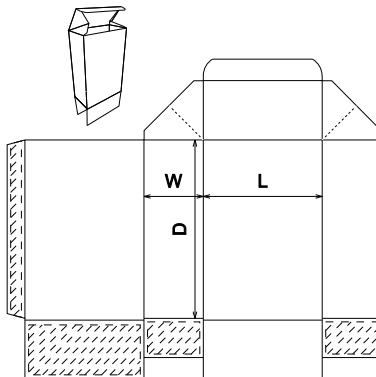
ECMA Folding Carton\Group A\ECMA A2099 -  
FC0222 - Webbed Tuck Tuck to Back



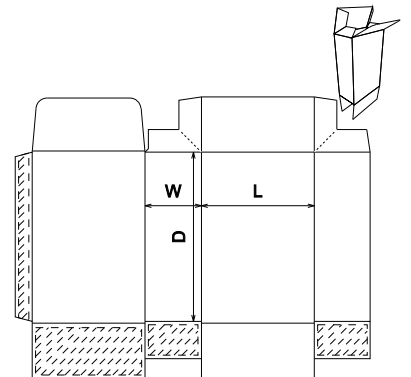
ECMA Folding Carton\Group A\ECMA A2001 -  
Tuck to Back - Open Top



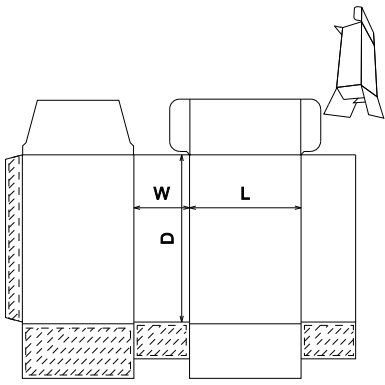
ECMA Folding Carton\Group A\ECMA A1101 -  
Open Ended Reduced Flap Skillet



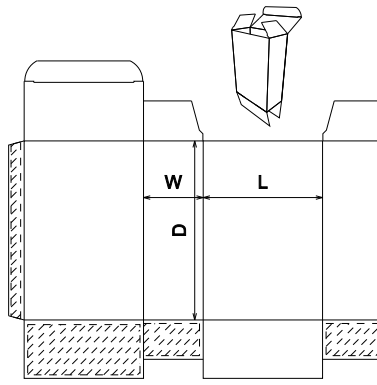
ECMA Folding Carton\Group A\ECMA A1099 -  
FC1211 - Webbed Tuck Square Flap Skillet



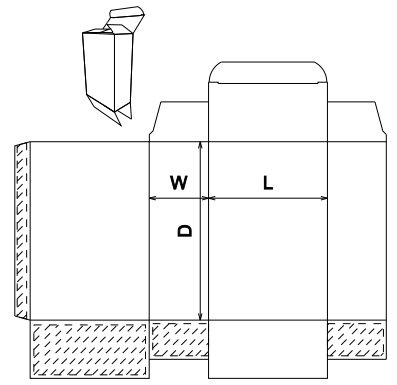
ECMA Folding Carton\Group A\ECMA A1045 -  
FC0212 - Sieve Proof Square Flap Skillet



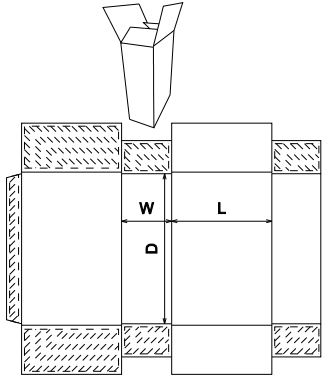
ECMA Folding Carton\Group A\ECMA A1040 - FC0213 - Side Tuck Square Flap Skillet



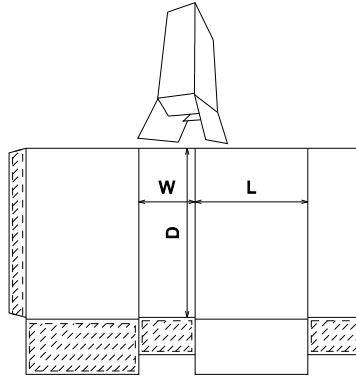
ECMA Folding Carton\Group A\ECMA A1020 Style B - FC0210 - Tuck to Front Standard Skillet



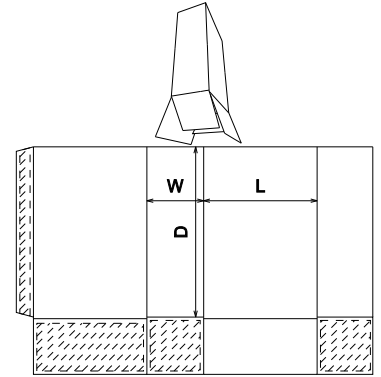
ECMA Folding Carton\Group A\ECMA A1020 Style A - FC0209 - Tuck to Back Standard Skillet



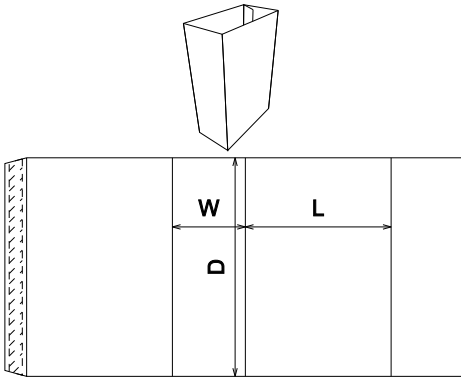
ECMA Folding Carton\Group A\ECMA A1010 - FC0504 - Square Flap Skillet



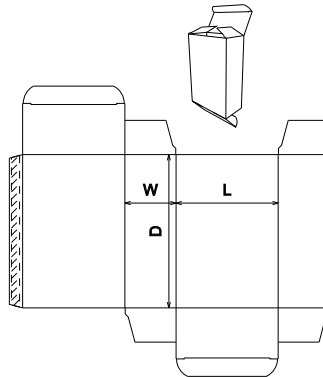
ECMA Folding Carton\Group A\ECMA A1001 Style B - Open Ended Square Flap Skillet



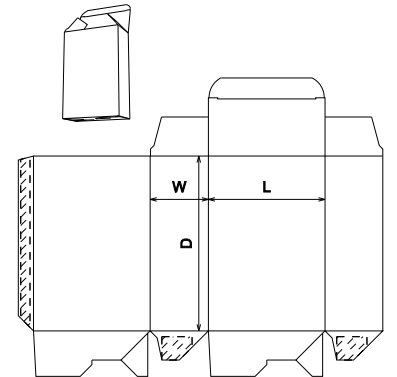
ECMA Folding Carton\Group A\ECMA A1001 Style A - Open Ended Full Overlap Skillet



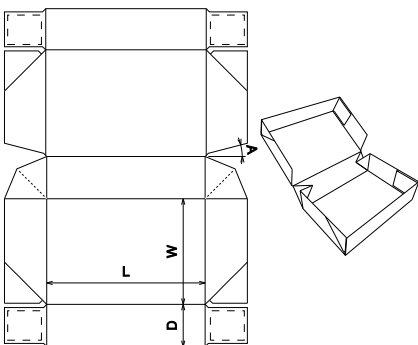
ECMA Folding Carton\Group A\ECMA A0101 - Open Ended Top and Base



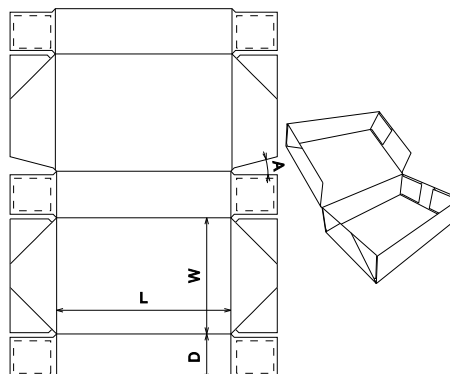
ECMA Folding Carton\Group A\ECMA A2120 - FC0201 - Reverse Tuck End



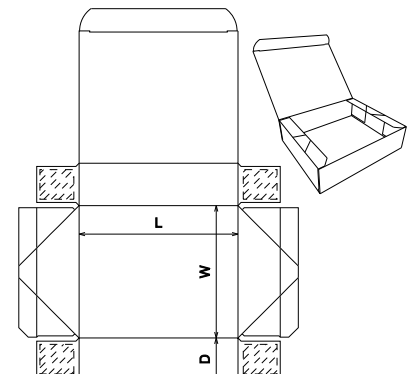
ECMA Folding Carton\Group A\ECMA A6020 - FC0101 - Tuck to Back Crash Lock Base



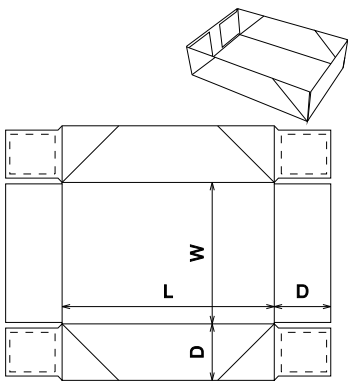
ECMA Folding Carton\Group B\ECMA B6121 - FC0309 Four Corner Hinged Lid with Webbed Corners



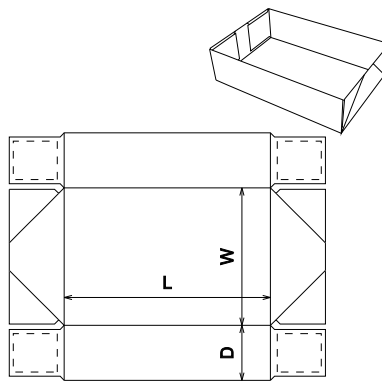
ECMA Folding Carton\Group B\ECMA B6020 - FC0310 6 Corner Glued Tray with Hinged Lid



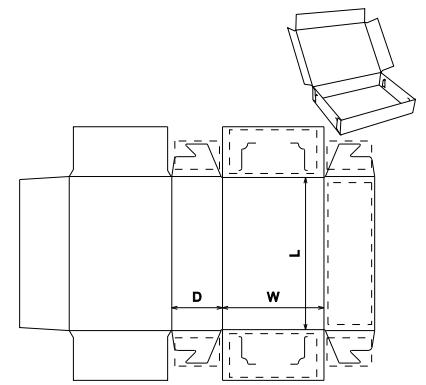
ECMA Folding Carton\Group B\ECMA B4050 - FC0308 - Four Corner Hinged Lid



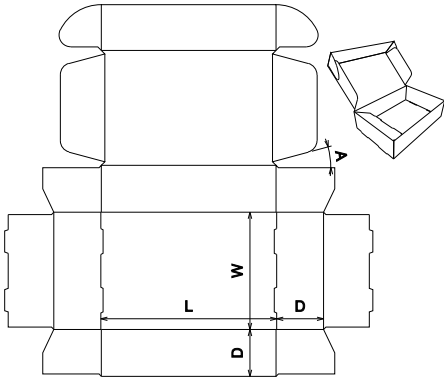
ECMA Folding Carton\Group B\ECMA B4020  
Style B - FC0302 - Out-Fold Tray



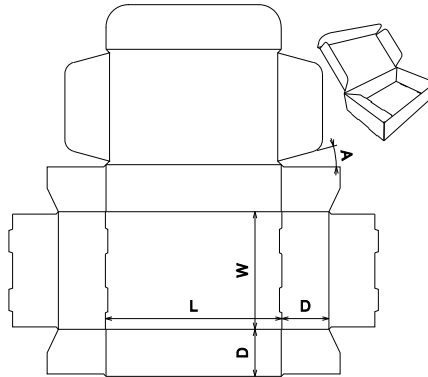
ECMA Folding Carton\Group B\ECMA B4020  
Style A - FC0301 In-Fold Tray, 4 Corner Glued



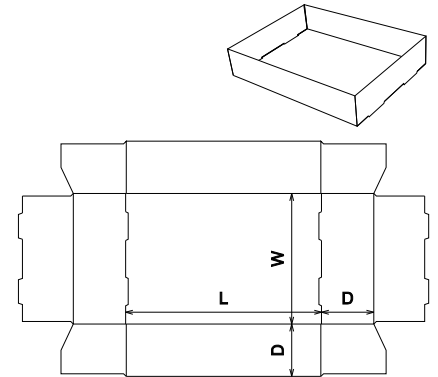
ECMA Folding Carton\Group B\ECMA B3353 -  
FC0506 Kliklok Top Load Skillet



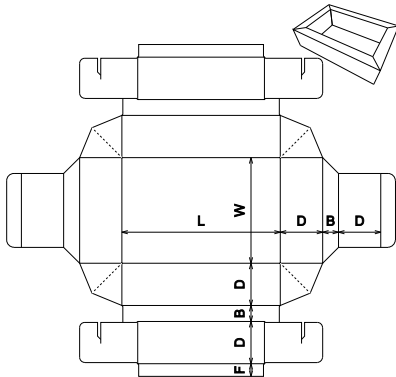
ECMA Folding Carton\Group B\ECMA B2150  
Style B - FC0312 - Turn Over Hinged Lid B



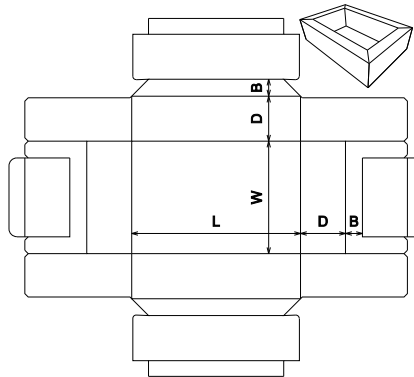
ECMA Folding Carton\Group B\ECMA B2150  
Style A - FC0311 - Turn Over Hinged Lid A



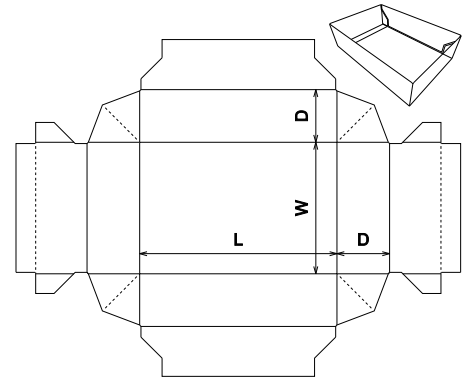
ECMA Folding Carton\Group B\ECMA B2110 -  
FC0304 - Turn Over End Tray



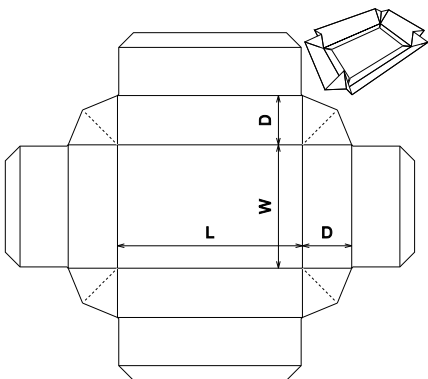
ECMA Folding Carton\Group B\ECMA B1411 -  
FC0306 - Buffer Wall Tray with Webbed Corners



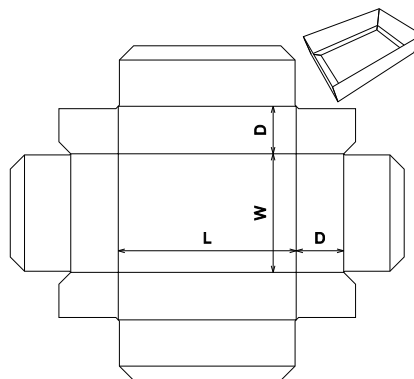
ECMA Folding Carton\Group B\ECMA B1410 -  
FC0305 - Buffer Wall Tray



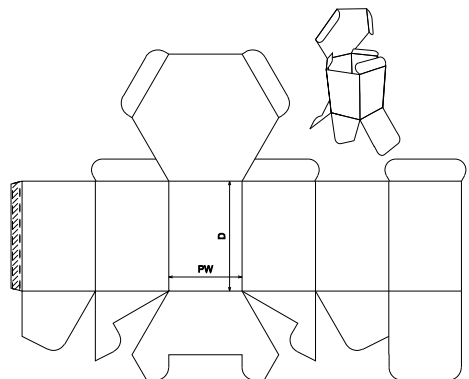
ECMA Folding Carton\Group B\ECMA B1021 -  
FC0307 - Shirt Box Style



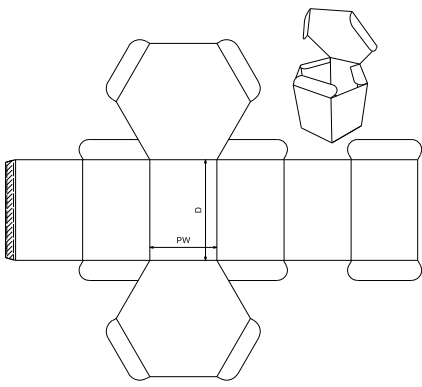
ECMA Folding Carton\Group B\ECMA B1011 -  
FC0303 - Webbed Self Locking Tray



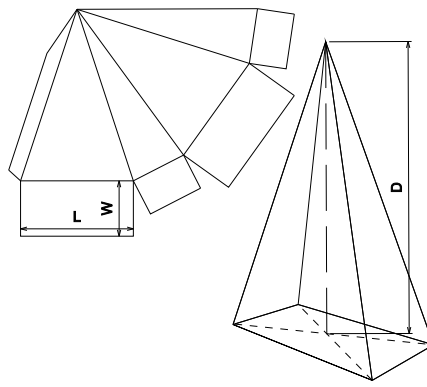
ECMA Folding Carton\Group B\ECMA B1010 -  
FC0303 - Standard Self Locking Tray



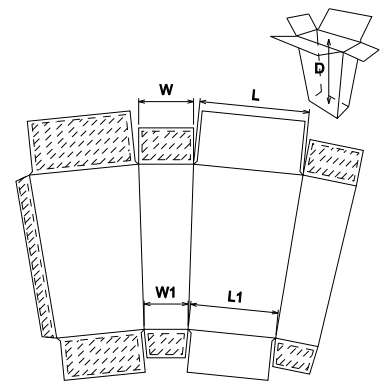
ECMA Folding Carton\Group C\ECMA C4055 -  
FC0606 - Hexagonal Snap Lock Base



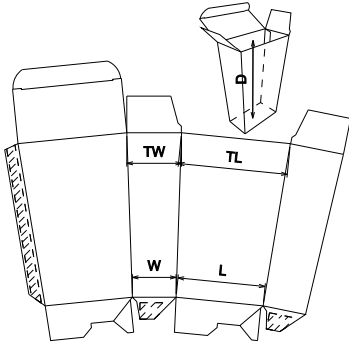
ECMA Folding Carton\Group C\ECMA C4020 - FC0605 - Hexagonal Same Panel Tuck



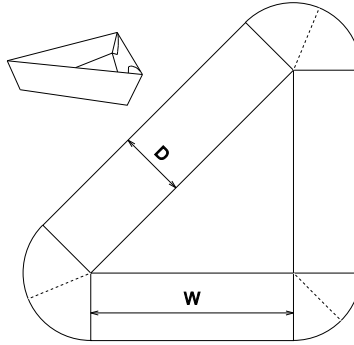
ECMA Folding Carton\Group C\ECMA C2210 - Rectangular Base Pyramid with Square Flaps



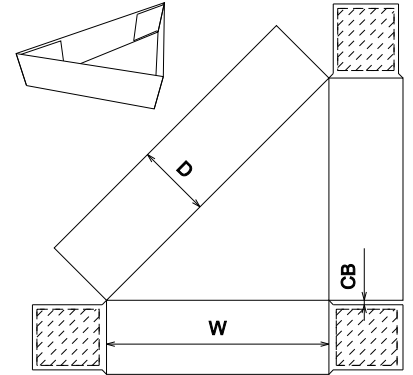
ECMA Folding Carton\Group C\ECMA C2110 - FC0615 - Tapered Skillet Top and Bottom



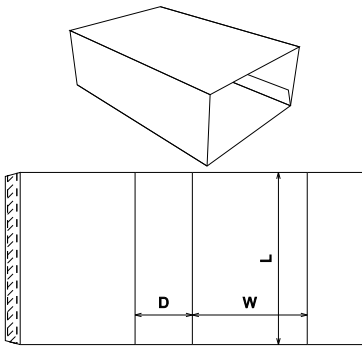
ECMA Folding Carton\Group C\ECMA C2160 - Tapered Carton, Crash Lock Base, Tuck to Front Top



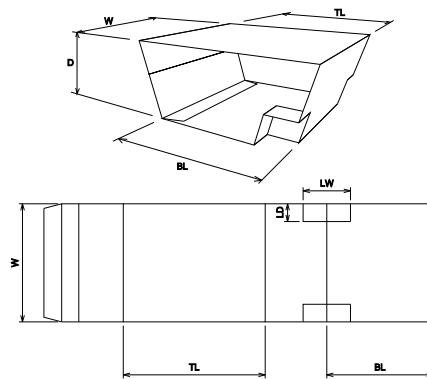
ECMA Folding Carton\Group D\ECMA D1011 - Triangular Single-Walled Carton with Dust-Proof Corners



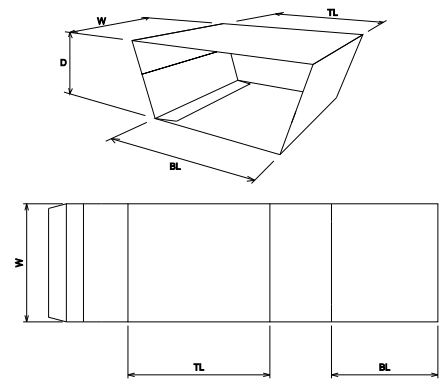
ECMA Folding Carton\Group D\ECMA D1010 - Triangular Single-Walled Carton



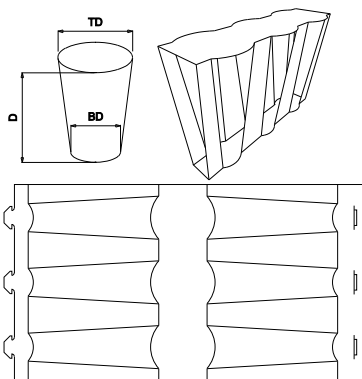
ECMA Folding Carton\Group E\ECMA E3120 Style C - FC0403 - Sleeve With/Without Thumb Cuts



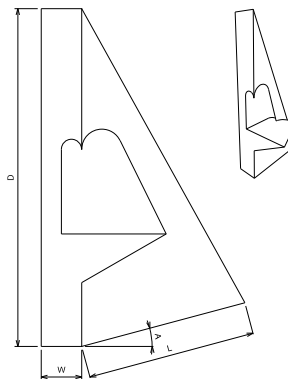
ECMA Folding Carton\Group E\ECMA E3120 Style B - FC0402 - Angled Glued Sleeve



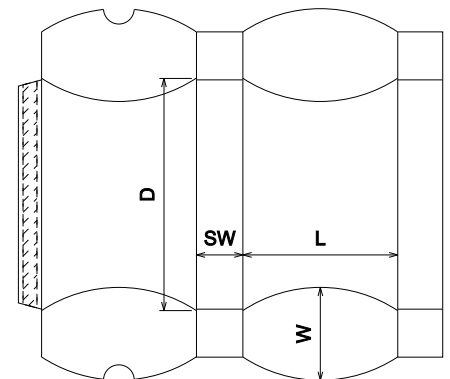
ECMA Folding Carton\Group E\ECMA E3120 Style A - FC0401 - Angled Glued Band



ECMA Folding Carton\Group E\ECMA E1021 - FC0404 - Non-Glued Wrap

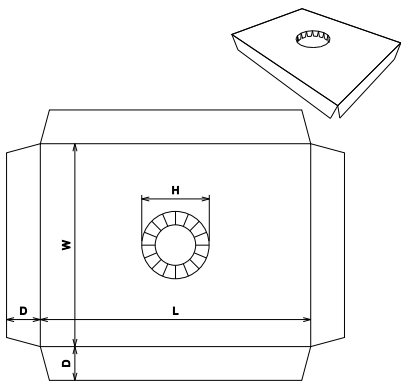


ECMA Folding Carton\Group F\ECMA F8041 - Vertical Support Strut

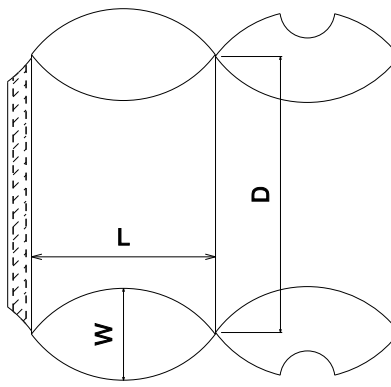


ECMA Folding Carton\Group F\ECMA F7001 Style B - FC0610 - Pillow Pack Side Walls

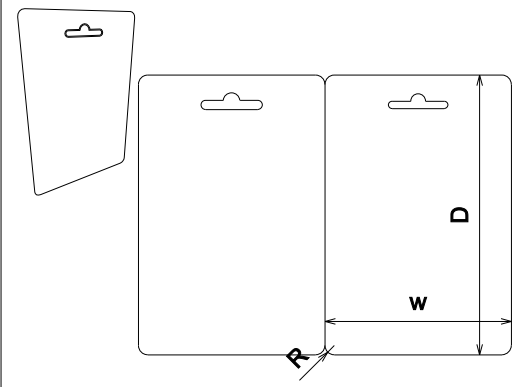




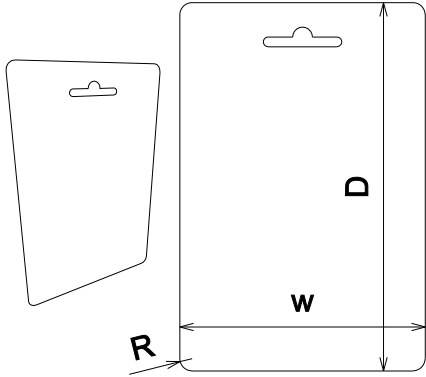
ECMA Folding Carton\Group F\ECMA F8003 - FC0617 - 4 Sided Platform with Centre Hole



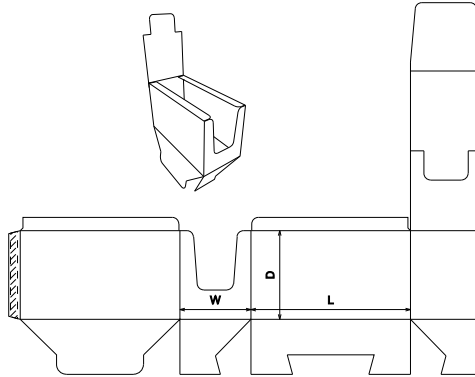
ECMA Folding Carton\Group F\ECMA F7001 Style A - FC0609 - Pillow Pack



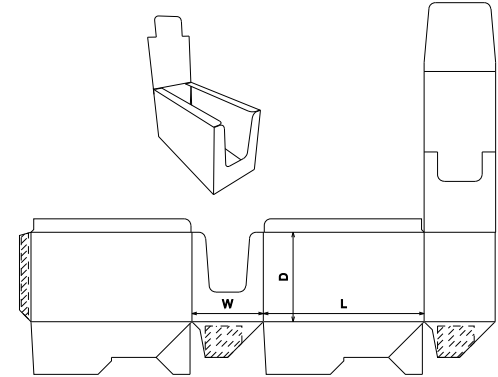
ECMA Folding Carton\Specials\Folding Carton 0619 - FC0619 - Blister Card



ECMA Folding Carton\Specials\Folding Carton 0604 - FC0604 - Blister Card



ECMA Folding Carton\Specials\Folding Carton 0603 - FC0603 - Display Outer Snap Lock Base



ECMA Folding Carton\Specials\Folding Carton 0602 - FC0602 - Display Outer Crash Lock Base